

Style 709 | Light Duty Adjustable Clevis Hanger



Size Range: 1/2" through 4"

Material: Carbon steel

Finish: Plain or Zinc Plated (Hot-Dip Galvanized optional)

Service: Recommended for suspension of stationary pipe or conduit.

Maximum Temperature: Plain 650° F/343°C, Galvanized and Epoxy 450° F/232°C

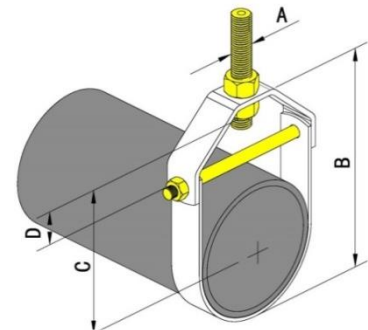
Approvals: Complies with Federal Specification WW-H-171-E (Type 12).

Installation: Hanger load nut above the clevis must be tightened securely to assure proper hanger performance.

Adjustment: Vertical adjustment is provided, varying with the size of clevis. Tighten upper nut after adjustment.

Features: An economical attachment for light duty service.

Caution: When an oversize clevis is used, a pipe spacer or multispacer should be placed over clevis bolt to ensure that the lower U-strap will not move in on the bolt.



Pipe Size	Max Load	Approx. Wt. Ea.	Rod Size A	B	C	D	调整范围	Width
In/mm	Lbf/kg	Lbs./kg	In/mm	In/mm	In/mm	In/mm		In/mm
1/2	150	0.10	3/8	1 11/16	2 3/32	1 1/4	7/16	5/8
15	68.04	0.05	M10					
3/4	250	0.17	3/8	1 7/8	2 13/32	1 7/16	1/2	3/4
20	113.4	0.04	M10					
1	250	0.18	3/8	2 5/32	2 13/16	1 11/16	5/8	3/4
25	113.4	0.08	M10					
1 1/4	250	0.21	3/8	2 17/32	3 3/8	2 1/6	13/16	3/4
32	113.4	0.10	M10					
1 1/2	250	0.24	3/8	2 13/16	3 13/16	2 3/8	15/16	3/4
40	113.4	0.11	M10					
2	250	0.26	3/8	3 11/32	4 17/32	2 7/8	1 3/16	3/4
50	113.4	0.12	M10					
2 1/2	350	0.50	3/8	3 27/32	5 9/32	3 1/4	1 5/16	3/4
65	158.76	0.23	M10					
3	350	0.59	3/8	4 31/32	6 7/32	3 7/8	1 5/8	3/4
80	158.76	0.27	M10					
3 1/2	350	0.62	3/8	5 17/32	6 31/32	4 3/8	1 7/8	3/4
125	158.76	0.28	M10					
4	400	0.77	3/8	5 17/32	7 25/32	4 15/16	2 1/8	3/4
100	181.44	0.35	M10					



Shanghai Vision Mechanical Joint Ltd., Co.,

Address: Jinlan Rd. 221, Jiading Industrial Park, Shanghai, China

Tel: 0086-21-5954-6862, 5954-6811, Fax: 0086-21--5954-3888 Web: www.visionmfr.com

D-1040E